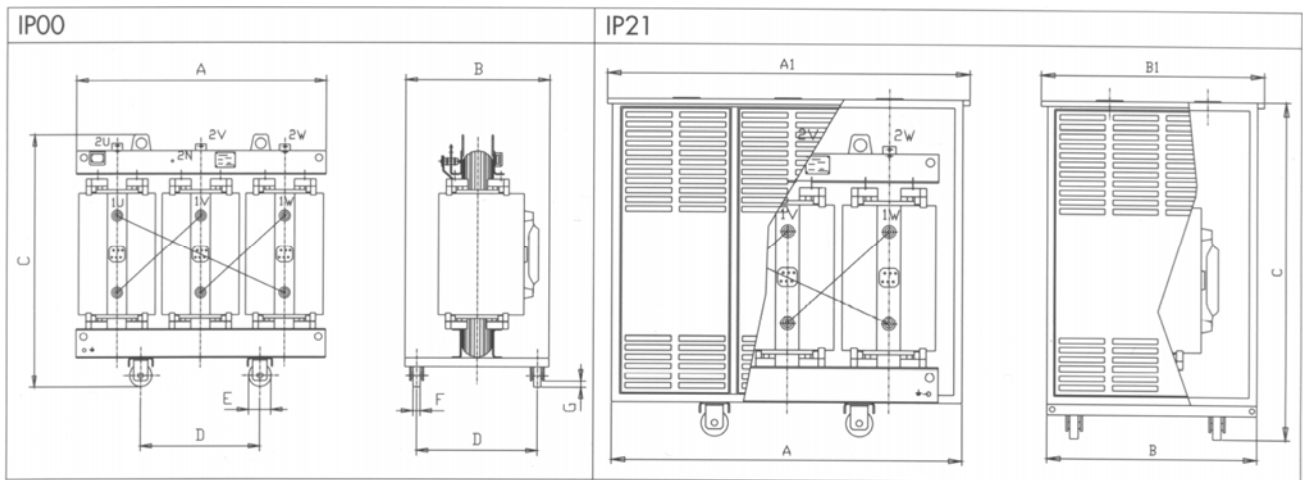


GJUTHARTSISOLERADE KRAFTTRANSFORMATORER – 24 kV – STANDARD

Tillämpad standard	Applied Standards	IEC 60076 – IEC 60726 – CEI 14-8 – DIN 42523
Tomgångsspänning, sekundär	No-load secondary voltage	400 V, 415 V, 420 V
Uttag för reglering, primärsida	Regulating taps on primary side	±2,5%;±5,0%
Kopplingsgrupp	Vector Group	Dyn11
Isolationsnivå, primär	Primary insulation level	Um-FI-Imp 24-50-95 – 24-50-125kV
Isolationsnivå, sekundär	Secondary insulation level	1,1 - 3 kV
Termisk-/isoleringsklass	Thermal/Insulation Classes	F/F
Miljö-, klimat-, brandklass	Environmental, Climat, Resistance to fire class	E2,C2,F1
Omgivningstemperatur	Ambient temperature	-25° till +40°C
Tillgängliga skyddsklasser	Available protection classes	IP20 – IP21 inomhus, indoors IP23 – IP31 – IP43 utomhus, outdoors
Standardfärg kapsling	Box standard colour	RAL 7032

Effekt	Po	Pcc	Vcc	Lwa	A	B	C	D	Vikt	A Kapslad	B Kapslad	C Kapslad	Vikt Kapslad
Power		120°C							Weight	Enclosed	Enclosed	Enclosed	Weight Enclosed
[kVA]	[W]	[W]	[%]	[dB(A)]	[mm]	[mm]	[mm]	[mm]	[kg]	[mm]	[mm]	[mm]	[kg]
100	480	1950	6	59	1250	650	1150	520	670	1650	1000	1500	890
160	650	2880	6	62	1300	650	1200	520	830	1650	1000	1500	1050
200	750	3390	6	63	1350	650	1250	520	920	1650	1000	1500	1140
250	880	3850	6	65	1400	650	1330	520	1080	1650	1000	1500	1300
315	1030	4850	6	67	1450	650	1370	520	1240	1750	1050	1700	1490
400	1200	5500	6	68	1500	800	1420	670	1450	1750	1050	1700	1700
500	1400	6780	6	69	1650	800	1470	670	1700	1750	1050	1700	1950
630	1650	7850	6	70	1600	800	1600	670	1950	1900	1100	1900	2250
800	1970	9400	6	72	1650	800	1750	670	2300	1900	1100	1900	2600
1000	2300	10900	6	73	1700	1010	1820	820	2700	2150	1200	2350	3050
1250	2650	13200	6	75	1750	1010	1920	820	3180	2150	1200	2350	3530
1600	3100	15800	6	76	1900	1010	2100	820	3900	2150	1200	2350	4250
2000	4000	19550	6	77	2000	1010	2200	1000	5070	2400	1450	2600	5470
2500	5000	22400	6	78	2100	1190	2300	1000	5800	2400	1450	2600	6200
3150	6300	25300	7	79	2200	1190	2400	1000	7000	2400	1450	2600	7400



Vadsbo Transformatorer ab
Aröds Industriväg 34
SE-422 43 Hisings Backa
Sweden

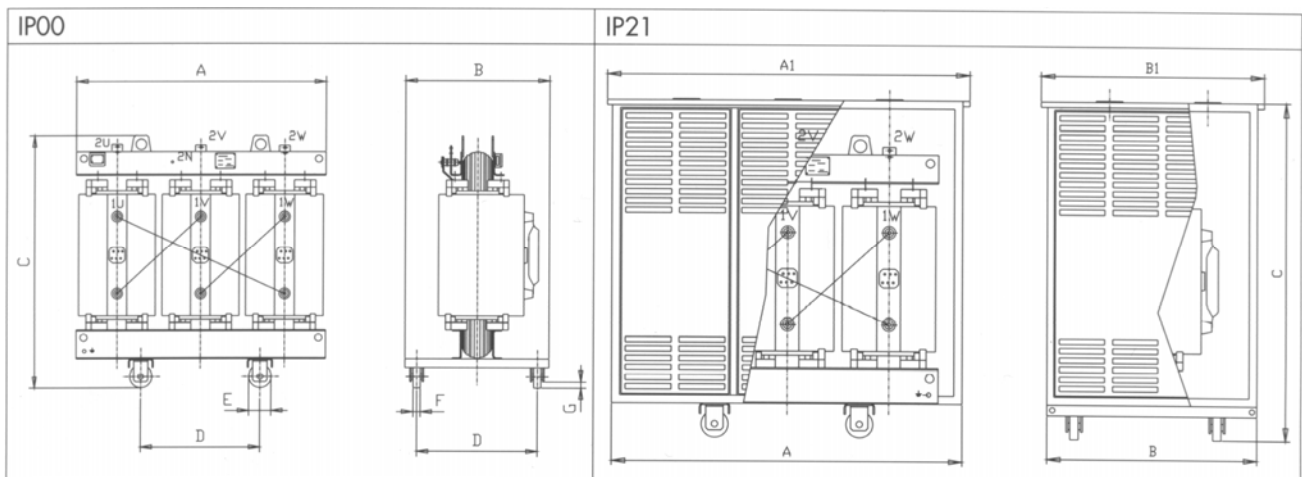
Phone +46-31-235600
Fax +46-31-226010
E-mail info@vadsbotransform.se
Web www.transformatorer.com



GJUTHARTSISOLERADE KRAFTTRANSFORMATORER – 24 kV – LÅGFÖRLUSTTYP

Tillämpad standard	Applied Standards	IEC 60076 – IEC 60726 – CEI 14-8 – DIN 42523
Tomgångsspänning, sekundär	No-load secondary voltage	400 V, 415 V, 420 V
Uttag för reglering, primärsida	Regulating taps on primary side	±2,5%;±5,0%
Kopplingsgrupp	Vector Group	Dyn11
Isolationsnivå, primär	Primary insulation level	Um-FI-Imp 12-28-60 – 12-28-75kV
Isolationsnivå, sekundär	Secondary insulation level	1,1 - 3 kV
Termisk-/isoleringsklass	Thermal/Insulation Classes	F/F
Miljö-, klimat-, brandklass	Environmental, Climat, Resistance to fire class	E2,C2,F1
Omgivningstemperatur	Ambient temperature	-25° till +40°C
Tillgängliga skyddsklasser	Available protection classes	IP20 – IP21 inomhus, indoors IP23 – IP31 – IP43 utomhus, outdoors
Standardfärg kapsling	Box standard colour	RAL 7032

Effekt	Po	Pcc	Vcc	Lwa	A	B	C	D	Vikt	A	B	C	Vikt
Power		120°C							Weight	Kapslad	Kapslad	Kapslad	Kapslad
[kVA]	[W]	[W]	[%]	[dB(A)]	[mm]	[mm]	[mm]	[mm]	[kg]	Enclosed	Enclosed	Enclosed	Weight Enclosed
										[mm]	[mm]	[mm]	[kg]
100	380	1950	6	51	1300	650	1150	520	700	1650	1000	1500	920
160	500	2880	6	54	1350	650	1200	520	870	1650	1000	1500	1090
200	585	3390	6	56	1400	650	1250	520	960	1650	1000	1500	1180
250	670	3850	6	57	1450	650	1350	520	1130	1650	1000	1500	1350
315	800	4850	6	58	1500	650	1400	520	1300	1750	1050	1700	1550
400	940	5500	6	60	1550	800	1450	670	1520	1750	1050	1700	1770
500	1100	6780	6	61	1600	800	1500	670	1780	1750	1050	1700	2030
630	1270	7850	6	62	1650	800	1650	670	2040	1900	1100	1900	2340
800	1380	9400	6	64	1700	800	1800	670	2420	1900	1100	1900	2720
1000	1750	10900	6	65	1750	1010	1850	820	2830	2150	1200	2350	3180
1250	1960	13200	6	66	1800	1010	1950	820	3410	2150	1200	2350	3760
1600	2400	15800	6	68	1950	1010	2150	820	4100	2150	1200	2350	4450
2000	2900	19550	6	70	2100	1010	2250	1000	5320	2400	1450	2600	5720
2500	3800	22400	6	71	2200	1190	2350	1000	6100	2400	1450	2600	6500
3150	4800	25300	7	76	2300	1190	2450	1000	7400	2400	1450	2600	7800



Vadsbo Transformatorer ab
Aröds Industriväg 34
SE-422 43 Hisings Backa
Sweden

Phone +46-31-235600
Fax +46-31-226010
E-mail info@vadsbotransform.se
Web www.transformatorer.com

