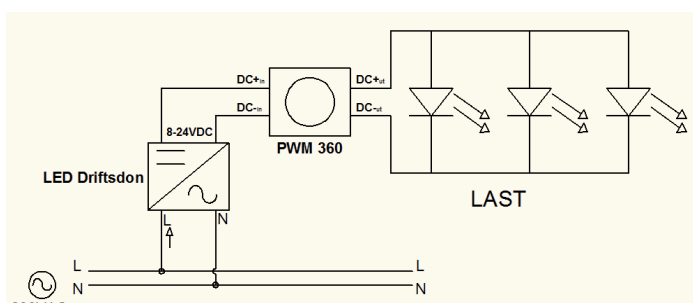


LED-dimmer

360W

LED-dimmer/PWM-dimmer for 8-24Vdc constant voltage diodes.
Up to 360W.



LED-dimmer up to 360W

Art nr	V-4036020PWM
E number	19 020 13
Min power (W)	1
Max power 8/10/12/15/24 Vdc (W)	120/150/180/225/360
Primary voltage (Vdc)	8-24
Secondary voltage (Vdc)	8-24 (PWM modulated)
Max current (A)	15
For constant voltage diodes	Yes
Capable of memorizing most recent light intensity	Yes
Rotary dimmer design	Yes
Colour	Polar white
Dimension (mm)	84x84x22
Isolation class	II
Protection index	IP20
Approvals	CE
Manufacturing standard	EN60669
Protection against:	
- overload	Yes
- overheating	Yes
- short-circuiting	Yes
Installation:	Junctionbox