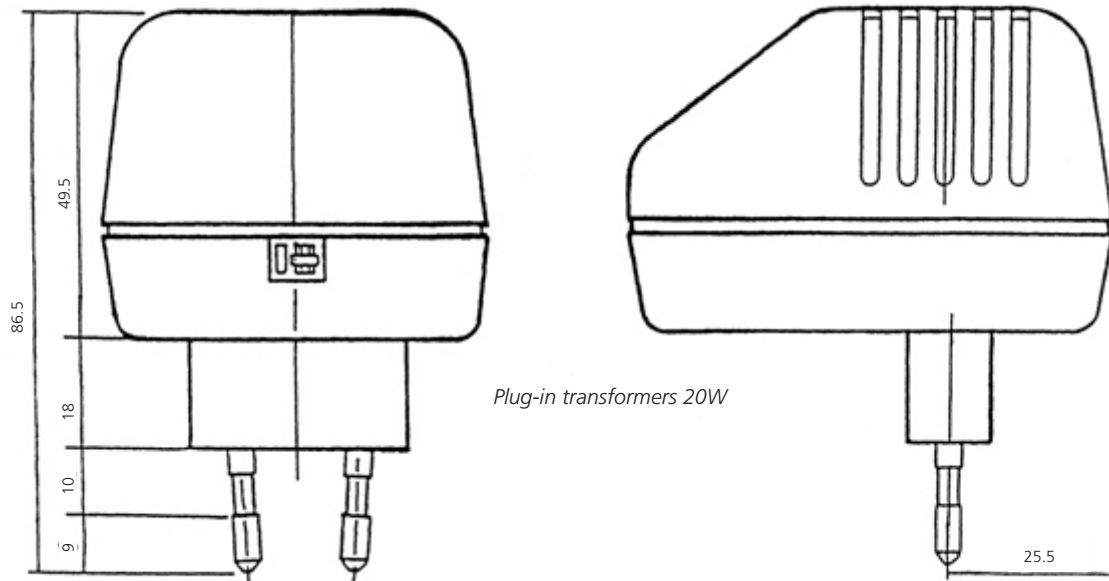


Wide range  
Shortcircuit protection  
Overload protection  
Protection index IP44

## PLUG-IN TRANSFORMERS

10/20/30/50VA



Plug-in transformers 40W

Vadsbo Transformatorer ab  
Aröds Industriväg 34  
SE-422 43 Hisings Backa  
Sweden

Phone +46-31-235600  
Fax +46-31-226010  
E-mail [info@vadsbo.net](mailto:info@vadsbo.net)  
Web [www.vadsbo.net](http://www.vadsbo.net)

**VADSBO** 

## PLUG-IN TRANSFORMERS 10-50VA

Power VA		10VA	20VA	30VA	50VA
Art. nr.	Black 12V	V-1401010	V-1402010	-	V-1405010
	White 12V	-	V-1402020	V-130301231	V-1405020
	Black 24V	V-140102410	V-140202410	-	V-140502410
	White 24V	-	V-140202420	V-130302431	-
Designation		VA-PT 10	VA-PT 20	VA-ST 30	VA-PT 50
Voltage, primary		230V	230V	230V	230V
Voltage secondary		11,5-24V	12-24V	12-24V	11,5-24V
Load W		10W	20W	28,8W	50W
Test voltage		4kV	4kV	4kV	4kV
Temperature class		B	B	B	B
Ambient temp. max.		+45°C	+25°C	+45°C	+45°C
Dimensions (LxBxH mm)		62x56x50	78x63x51	80x62x55	84x84x37
Weight (kg)		0,35	0,54	0,62	0,69
Color		Black	White or Black	White	White or Black
Cover					
- non-combustible thermoplastic		Yes	Yes	Yes	Yes
Protection against					
- short-circuiting		Yes	Yes	Yes	Yes
- overload		Yes	Yes	Yes	Yes
Connections					
- prim. EU-plug		Yes	Yes	Yes	Yes
- sec DIN-connector		Yes	Yes	No	No
- sec. cable		No	No	Yes	No
Isolationclass		II	II	II	II
Protection index		IP20	IP20	IP20	IP20
Manufacturing standard		EN 61558	EN 61558	EN 61558	EN 61558
Approvals		CE/EMC	S/ CE/EMC	CE/EMC	S/ CE/EMC
EMC-requirements		Approved	Approved	Approved	Approved